

DACPOL

THREE-PHASE THYRISTOR REGULATORS

RAC1 SERIES (30 - 100A)

RAC2 SERIES (120 - 250A)

The RAC series are adapted to operation in hard industrial conditions. Their main virtues are high durability, overvoltage endurance, no switching overvoltages and silent operation.



Application – voltage regulation of:

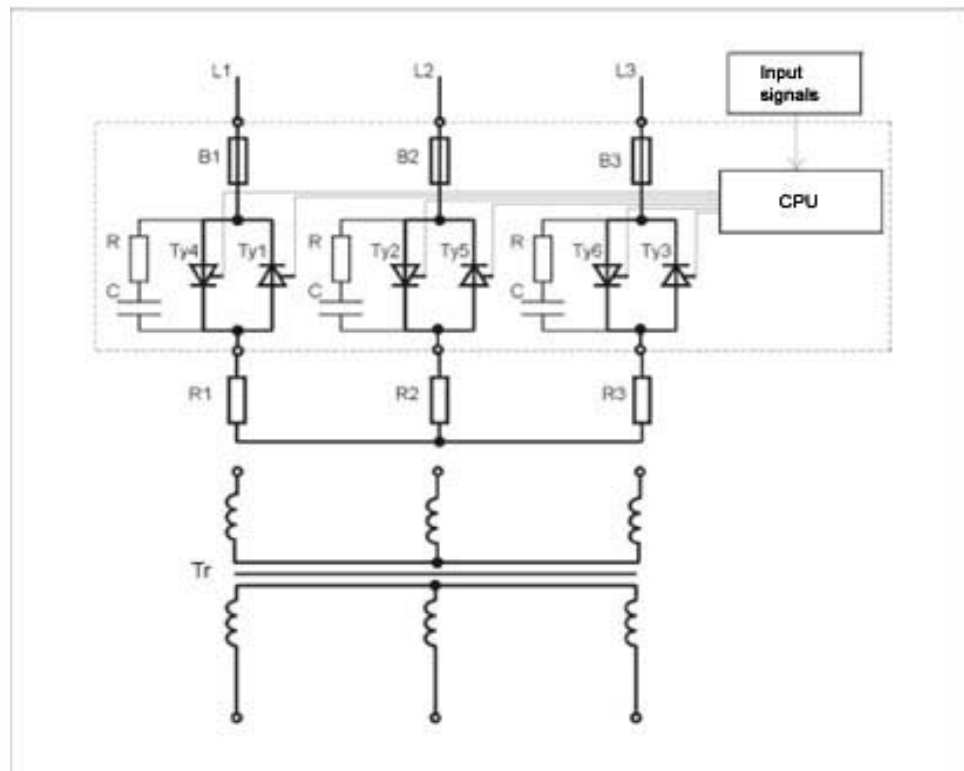
- 3-phase transformers;
- Resistance furnaces with silit or resistant heating units;
- Incandescent lamps.

Operational advantages:

- Comfortable assembly and wiring in control cabinets;
- High protective level, all conductive parts are shielded;
- Simplicity of fuses replacement;
- Visual indication of control correctness;
- Visualization of Power setting;
- Easy repair in case of failure;
- Standard input signal 0-10V, 4-20mA, potentiometer.

Extraordinary stability and reliability is obtained by:

- Thyristor selection according to expected values of load and work conditions;
- Using special heat sinks and fans to provide optimal work temperature;
- Using RC snubbers circuit for protection against switching overvoltages;
- Using ultra quick fuses for thyristors short-circuit protection.



TECHNICAL DATA	
Nominal load current	RAC1(30; 50; 70; 100A), RAC2(120; 160; 200; 240A)
Supply voltage	3x380V; 50Hz
Supply voltage tolerance	+10% to -15%
Load connection pattern	delta or star
CONTROL	
Operating functions according to PN/EN 60947-4-3	Variant 4
	<ul style="list-style-type: none"> • OFF – state • Load control • Full – on state
Control signal	0-10VDC, 4-20mA DC, potentiometer
SAFETY	
Overvoltage protection	RC mufflers
Short circuit protection	Ultra quick fuses
Thermal protection	Thermal protectors
Cooling system	Fans
Protection cover	Aluminium cover
Isolation test voltage	2,5kV
ENVIRONMENTAL CONDITIONS	
IP protection ratio	IP 10
Working temperature range	0°C to 50°C
Storage temperature range	-20°C to 60°C
Working humidity range	Up to 85% (no dew condensation)
Height above sea level	Up to 1000m without limitations of power
WEIGHT AND DIMENSIONS	
Dimension L x W x H	RAC1 (290x220x193mm), RAC2 (346x304x246mm)
Weight	RAC1 (5 kg), RAC2 (10 kg)
ASSEMBLING AND WIRES FASTENING	
Control wire connection	Weidmuller screw connector
High-current wires connection	M5 screws
Install holes	RAC1 (250 x 250mm), RAC2 (220 x 330mm)
SPECIAL OPTIONS	
<ul style="list-style-type: none"> • Soft Start • RS 485 Communication 	



DACPOL Co. Ltd., Puławska 34 Street, 05-500 Piaseczno, Poland

phone: (+48) 22 70 35 100, (+48) 22 75 00 868

fax: (+48) 22 70 35 101, (+48) 22 75 70 764

dacpol@dacpol.com.pl, <http://www.dacpol.com.pl>